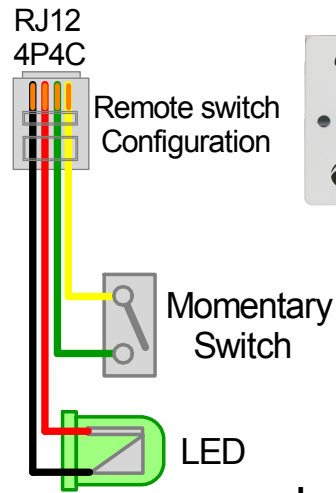
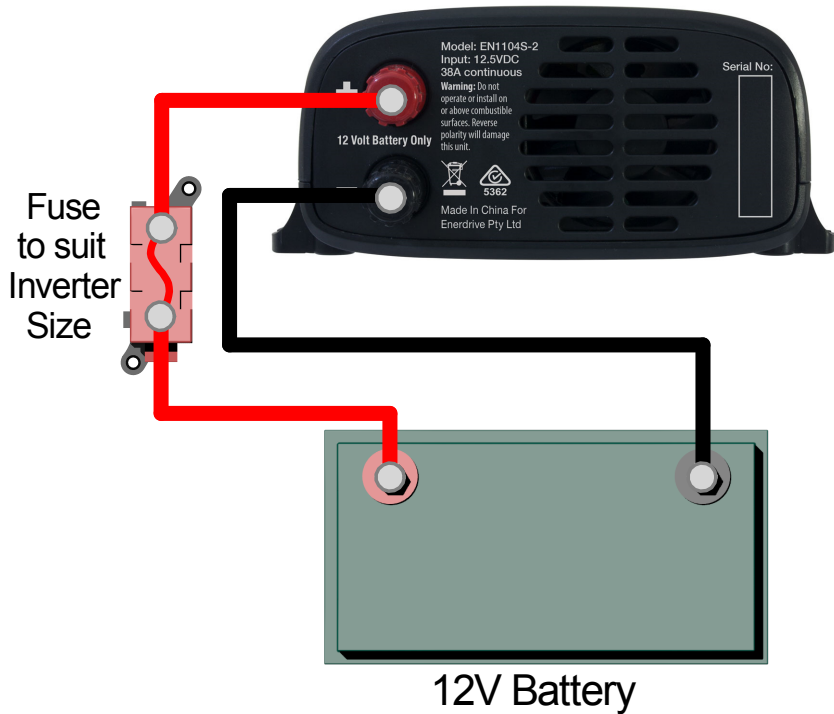


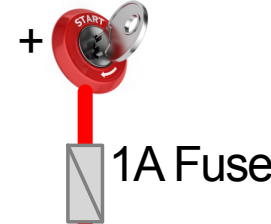
Remote Options for 400W Gen2 & 600W Inverters



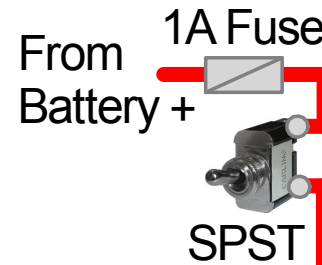
Option 1 - Inverter Switch Panel



Ignition Switch



Option 2 - Ignition Switch



Option 3 - Power Switch

